

Ecostyle Panel Radiators



- **Elegant Design**
- **Engineered for efficiency**
 - **Easy to sub-zone**
- **Provides hybrid heat - radiant and convective**
- **Well suited for standard efficiency and condensing boilers**
- **Stove enameled finish for scratch and corrosion resistance**



Ecostyle Radiant Panels provide exceptional radiant heat while adding style and efficiency to your home. Radiant heat acts like the sun, heating objects and people, not just air. This even warmth minimizes cold spots and drafts throughout the home.

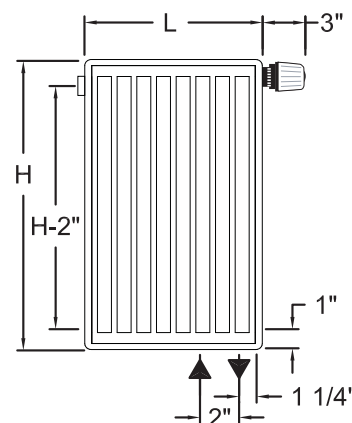
Ecostyle Radiant Panels are equipped with integrated, flow-regulating valves which provide the flexibility to individually control each radiator. This feature offers a convenient and inexpensive means of sub-zoning to provide targeted distribution where the heat is needed.

Ecostyle Radiant Panels are designed for not only their appearance and efficiency, but also their resiliency to deterioration. They are manufactured from high quality steel and finished with high gloss enamel making them scratch and corrosion resistant. With clamp mounting brackets and bottom connections, Ecostyle Radiant Panels are easy to install and pipe.

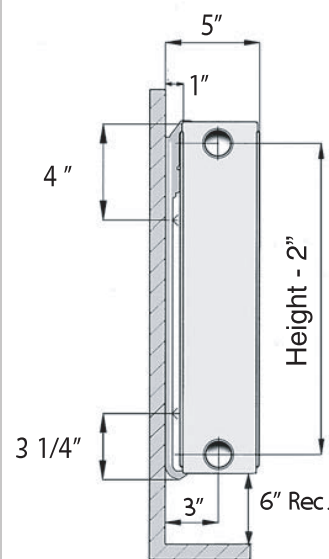
Whether you are installing or replacing your heating system, give your home the comfort of radiant heat with the elegance of Italian design.

Radiant Panel Specifications

Radiator Model	Height (in)	Length (in)	Output (BTU) @ 180°F	Output (BTU) @ 140°F	Weight (lbs)	Water Content (gal)	Equivalent Baseboard @ 180°F (ft)
B-12.16 ECO	12	16	1,705	1,031	15	0.37	3.0
B-12.24 ECO		24	2,562	1,548	22	0.53	4.5
B-12.32 ECO		32	3,414	2,064	29	0.71	6.0
B-12.40 ECO		40	4,266	2,579	37	0.90	7.5
B-12.48 ECO		48	5,119	3,094	44	1.08	9.0
B-12.56 ECO		56	5,971	3,610	51	1.27	10.5
B-12.64 ECO		64	6,828	4,128	58	1.43	12.0
B-16.16 ECO	16	16	2,167	1,310	20	0.48	3.8
B-16.24 ECO		24	3,254	1,967	30	0.71	5.7
B-16.32 ECO		32	4,337	2,622	40	0.95	7.6
B-16.40 ECO		40	5,421	3,277	49	1.19	9.5
B-16.48 ECO		48	6,504	3,932	59	1.43	11.4
B-16.56 ECO		56	7,587	4,586	69	1.66	13.3
B-16.64 ECO		64	8,675	5,244	78	1.90	15.2
B-16.71 ECO	71	9,758	5,899	88	2.11	17.1	
B-20.16 ECO	20	16	2,610	1,578	25	0.58	4.6
B-20.24 ECO		24	3,916	2,367	37	0.87	6.9
B-20.32 ECO		32	5,221	3,156	50	1.14	9.2
B-20.40 ECO		40	6,526	3,945	62	1.43	11.4
B-20.48 ECO		48	7,831	4,734	74	1.72	13.7
B-20.56 ECO		56	9,137	5,523	86	2.01	16.0
B-20.64 ECO		64	10,442	6,312	98	2.30	18.3
B-24.16 ECO	24	16	3,037	1,836	30	0.69	5.3
B-24.24 ECO		24	4,551	2,751	45	1.06	8.0
B-24.32 ECO		32	6,069	3,669	60	1.40	10.6
B-24.40 ECO		40	7,587	4,586	74	1.74	13.3
B-24.48 ECO		48	9,106	5,504	89	2.09	16.0
B-24.56 ECO		56	10,624	6,422	104	2.43	18.6
B-24.64 ECO		64	12,138	7,337	118	2.80	21.3
B-24.71 ECO	71	13,656	8,255	133	3.14	24.0	
B-36.16 ECO	36	16	4,240	2,563	46	0.95	7.4
B-36.24 ECO		24	6,362	3,846	68	1.43	11.2
B-36.32 ECO		32	8,480	5,126	90	1.90	14.9
B-36.40 ECO		40	10,602	6,409	112	2.38	18.6
B-36.48 ECO		48	12,724	7,691	135	2.85	22.3



CONNECTIONS



SIDE VIEW

Outputs based on supply temperatures shown, 20° F ΔT and 68° F Room Temperature